

UV664

Features

Locking device.
Double block and bleed.
Fire safe design.
Grease injection system.
Anti-static design.

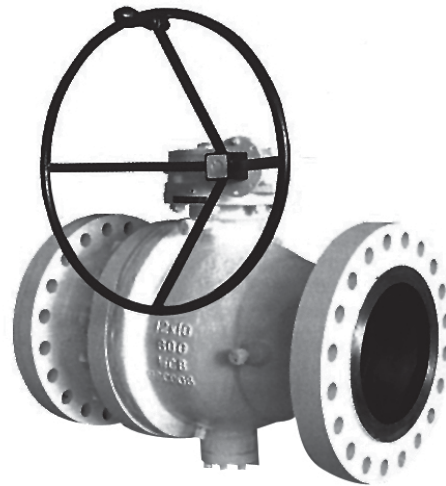
Technical Data

Normal diameter or bore:
NPS 4"~NPS 12", DN100~DN300.
Normal pressure rating:
Class 150~Class 300.
Material: Carbon Steel, Stainless Steel.
Applicable temperature: -29°C ... +180°C .

Design Standard

Design & manufacture:
ASME 16.34, API 6D, API 608.
Connection ends: ASME B16.5.
Face to face: ASME B16.10.
Fire-safe design: API 607.
Testing & inspection: API 598, API 6D.
NACE: MR 0175.

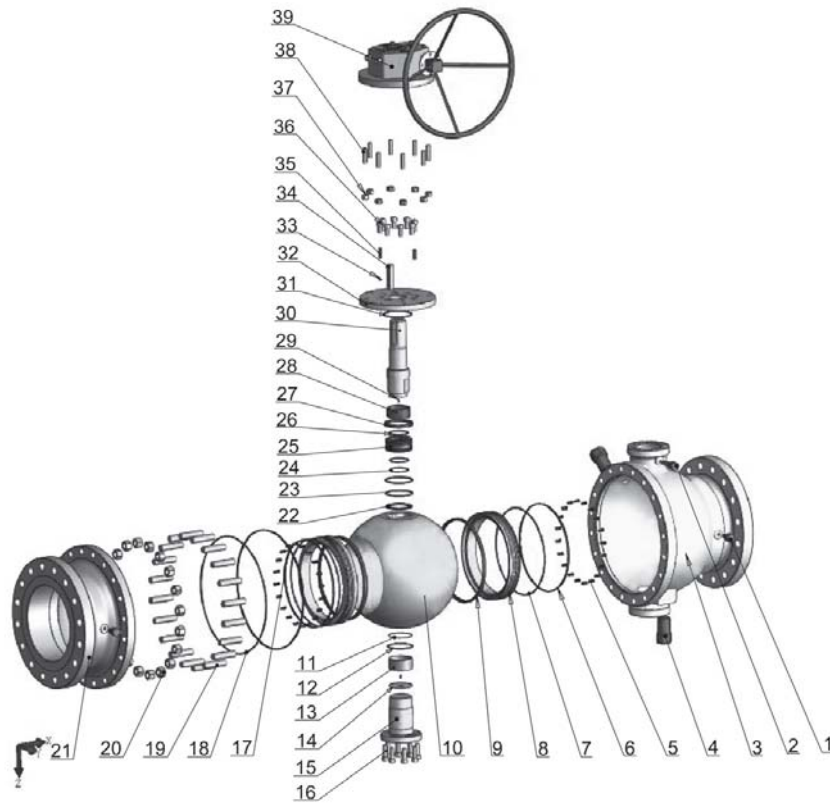
SOFT SEATED, TRUNNION MOUNTED, FULL BORE FLANGED BALL VALVE



Application

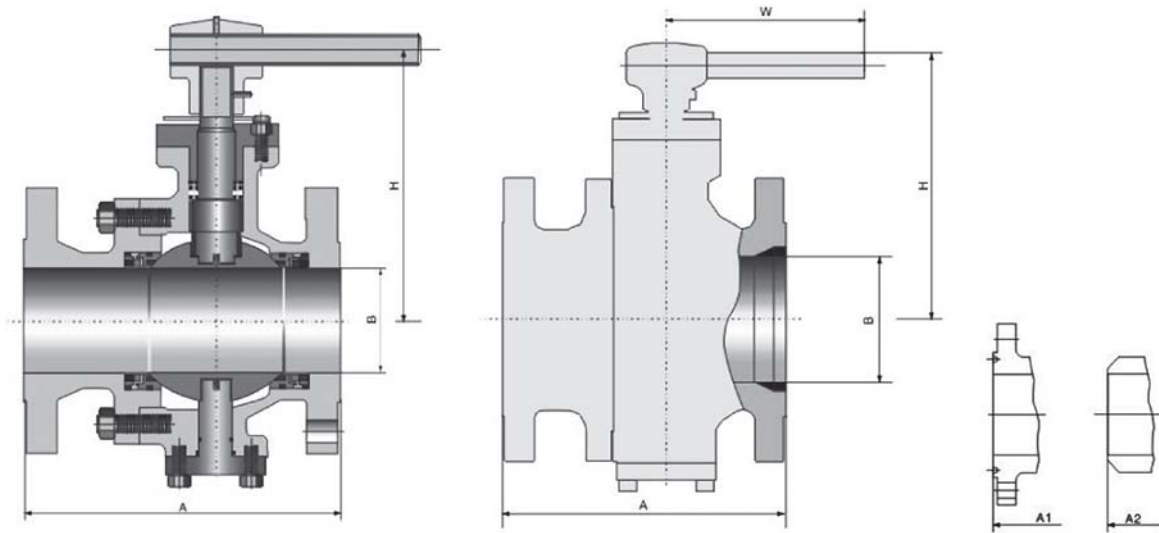
- Power generation.
- Silicone.
- Oil, Gas (Natural gas).
- Chemical industry.
- Metallurgy.
- Pharmaceutical.
- Paper making.
- Shipbuilding.

Standard Structure for UV664



NO.	NAME	NO.	NAME
1	INJECTOR	21	BODY ADAPTER
2	INJECTOR	22	THRUST GASKET
3	BODY	23	O-RING
4	DRAIN	24	STEM O-RING
5	SEAT SPRING	25	SEAL RING
6	SEAT F.S.GASKET	26	STEM O-RING
7	SEAT O-RING	27	SPLIT RING
8	SEAT	28	STEM BEARING
9	SEAT INSERT	29	ANTISTATIC SPRING
10	BALL	30	STEM
11	TRUNNION O-RING	31	UPPER COVER F.S.GASKET
12	TRUNNION F.S.GASKET	32	TOP FLANGE
13	TRUNNING BEARING	33	ELASTIC PIN(S)
14	THRUST GASKET	34	KEY
15	TRUNNION	35	ELASTIC PIN(B)
16	TRUNNION HEX BOLT	36	TOP FLANGE HEX BOLT
17	BODY F.S.GASKET	37	GEAR NUT
18	BODY O-RING	38	GEAR BOLT
19	BODY BOLT	39	WORM GEAR
20	BODY NUT		

Dimensions



Size Inch	Dimensions ASME 150Lb in mm							
	A	A1	A2	B	H	W	WT(Kg)	T(Nm)
4"	229	241	305	100	205	650	50	151
6"	394	406	457	150	300	460	100	320
8"	457	470	521	201	150	600	172	1020
10"	533	546	559	252	374	600	284	1085
12"	610	622	635	303	415	600	494	1562

Size Inch	Dimensions ASME 300Lb in mm							
	A	A1	A2	B	H	W	WT(Kg)	T(Nm)
4"	305	321	305	100	250	650	95	270
6"	403	419	457	150	310	460	200	544
8"	502	518	521	201	343	600	246	1620
10"	568	584	559	252	396	600	308	1824
12"	648	664	635	303	423	600	512	2632

How to Order

Example :

664F06ABARG

1.	2.	3.	4.	5.	6.	7.
664F	06	A	B	A	R	G

1.	TYPE		
	664-Standard, 664F –Fire Safe		
2.	Valve Size		
04	100mm	10	250mm
06	150mm	12	300mm
08	200mm		
3.	Pressure Rating		
A	ANSI 150	C	ANSI300
4.	Body Material		
A	WCB	D	CF8
B	CF8M		
Y	Others consult with factory		

5.	Ball Material		
A	316		
6.	Seat Material		
P	PTFE	R	RPTFE
O	Other		
7.	Packing		
P	PTFE	G	Graphite

Univals Singapore

1 Kaki Bukit Road 1, #02-12/13 Enterprise One, Singapore 415934

Tel: +65 6580 8388 Fax: +65 6580 8399

Univals China

No.393, XinGe Road, SongJiang District, Shanghai 201612 PR China

Tel: +86 21-6767 6678 Fax: +86 21-6767 6628

<http://www.univals.com>

Univals have rights to change the design and specification of products without prior notification